



Vertical Movement System
VMSTM

V6
Free Standing



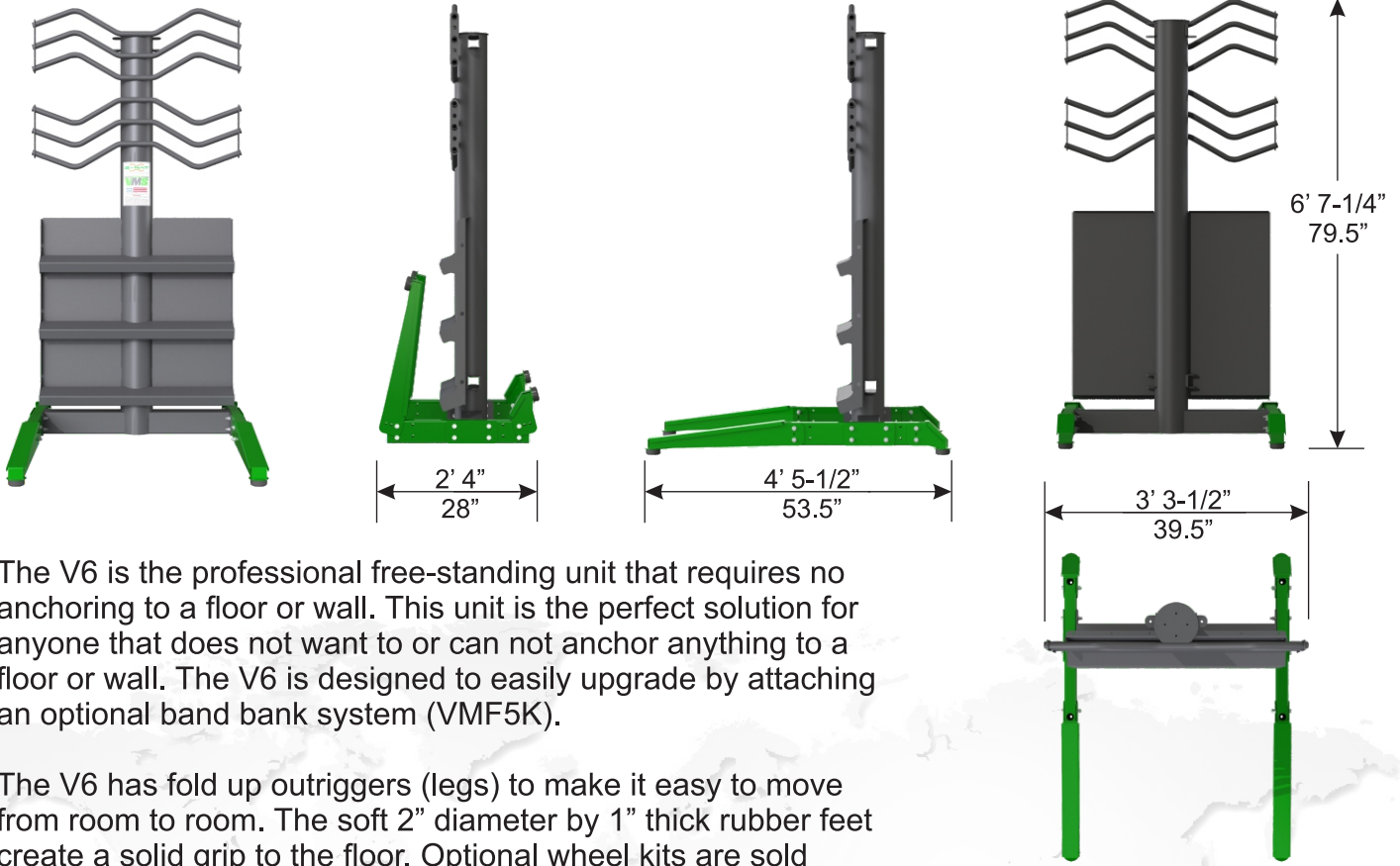
g-nat.com
Made in the USA



Vertical Movement System
VMS

V6

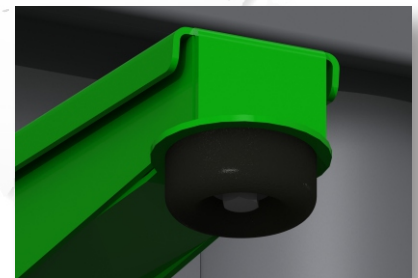
Free Standing



The V6 is the professional free-standing unit that requires no anchoring to a floor or wall. This unit is the perfect solution for anyone that does not want to or can not anchor anything to a floor or wall. The V6 is designed to easily upgrade by attaching an optional band bank system (VMF5K).

The V6 has fold up outriggers (legs) to make it easy to move from room to room. The soft 2" diameter by 1" thick rubber feet create a solid grip to the floor. Optional wheel kits are sold separately (V6WK and V6SWK).

G-NAT resistance bands can be used by simply attaching them to the band clip holes along both sides of the V6, as illustrated below. (Bands sold separately)



Overall Dimensions & Weight:
 53.5"D x 39.5"W x 79.5"H
 180 lbs.

Shipping Specifications:
 44"L x 40"W x 88"H
 250 lbs.
 Class 70

g-nat.com
 Made in the USA