

VMFBK

Band Bank Counter Balance Kit

Kit required for V6 with VMF5 attached



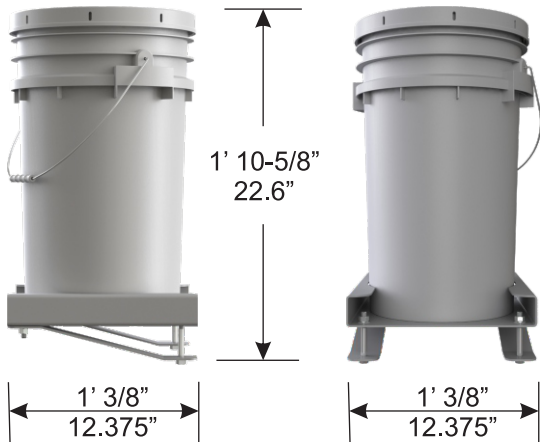
g-nat.com
Made in the USA



VMFBK

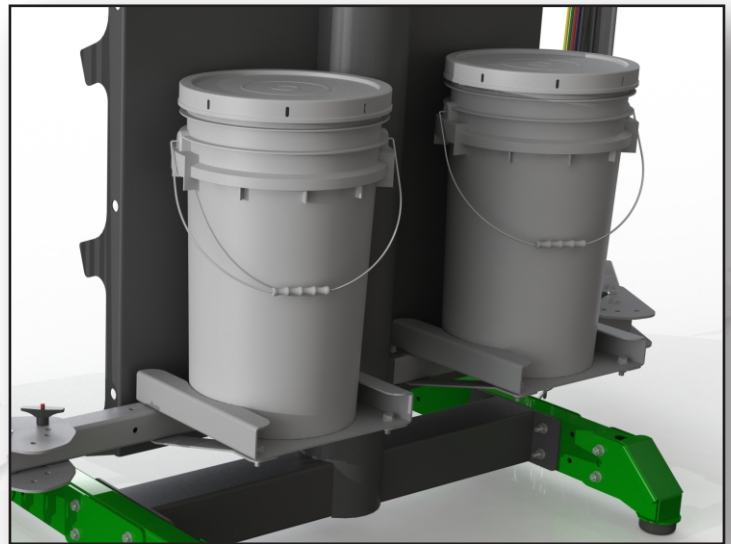
Band Bank Counter Balance Kit

Kit required for V6 with VMF5 attached



This counter balance kit is designed to offset the forward forces produced during the use of the VMF5K attached to a V6. This kit is **REQUIRED** to keep the V6 stable and in place during use. The kit comes with two complete support tray assemblies and two containers. Assembly required.

The two 7 gallon containers must be filled with water or gravel to create the required counter weight. The filled containers are easily set into position where they are held securely in place.



Note: Container color may be different illustrated above.
(V6MF5 sold separately)

Overall Dimensions & Weight:
Approx. 26"W x 12.75"D x 22.6"H
25 lbs.

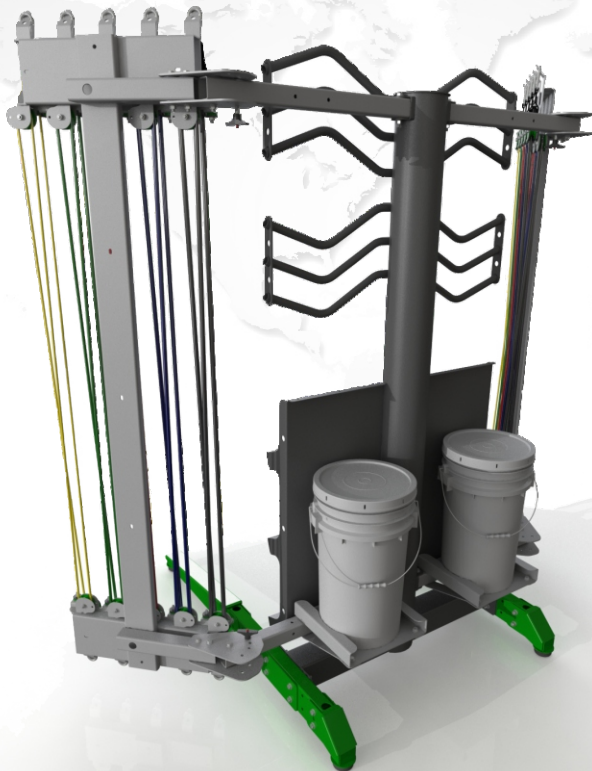
Shipping Specifications:

UPS:
2 Boxes, total weight of 35 lbs.

Freight:
40"L x 40"W x 32"H
75 lbs.
Class 70



Kit mounts directly on to the bottom horizontal tube of the VMF5K.
All hardware included.



g-nat.com
Made in the USA